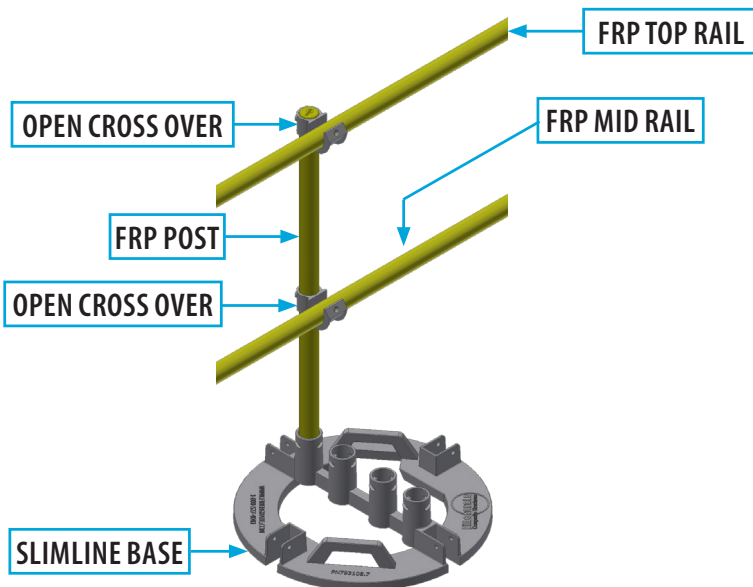


DYNAROUND RG (ROOF GUARD) SLIMLINE™

Fibergrate's new ballasted rooftop guardrail system, DynaRound RG Slimline™, provides safety and fall protection on rooftop applications. While our RG system utilizes counter balance bases, the Slimline systems uses both counterbalance bases in addition to circular galvanized bases with less interference. Similar to our DynaRound RG system, each Slimline system is made of durable, weather-resistant fiberglass reinforced plastic (FRP) composite uprights and rails, galvanized steel base weights, and galvanized connector components. This system meets applicable safety standards in the U.S. and Canada to protect people working at heights.



DynaRound RG Slimline provides the utmost in safety by protecting against injuries or death from accidental falls from the roof. The weighted base system means there is no drilling into the roof to attach the system. This eliminates any damage to the roof that could result from the drilling, including potential sources of leaks.

SPECIFICATIONS

Safety Ratings

OSHA Requirements:

- 1926.501(b)(1)
- 1926.502(b)
- 1910.28(b)(1)
- 1910.29(b)

CAL/OSHA Requirements:

- 3210
- 3212
- 1620
- 3209

IBC 2018 Requirements:

- 1015.3
- 1015.4.4
- 1015.7
- 1607.8.1 - (Modified system required)
- 1607.8.1.1
- 1607.8.1.2

Materials of Construction

Rails, posts, and outriggers:

- VEFR (Vinyl ester resin system with a flame spread of 25 or less for dependable resistance to both acidic and alkaline environments)

Fittings and Base Weights:

- Galvanized, cast iron connectors with set screws
- Protective, durable rubber pads on parts that contact roof surface

Size

- 1.9" O.D. Pultruded Round Tube

Colors

Yellow with UV Coating

Light Gray with UV Coating

BENEFITS OF FRP



Corrosion Resistant: Fibergrate® fiberglass products are known for their ability to provide corrosion resistance in the harshest environments.



Lightweight: Fibergrate FRP products lessen impact on rooftop installations, reduce installation time, can eliminate the need for heavy lifting equipment, and reduce shipping costs.



Low Maintenance: The corrosion resistant properties of FRP are easy to clean and reduce or eliminate the need for sandblasting, scraping and painting.



Long Service Life: Fiberglass products provide outstanding durability and corrosion resistance in demanding applications, providing improved product life over traditional materials.



Electrically & Thermally Non Conductive: Fiberglass is electrically non conductive for safety and has low thermal conductivity - resulting in a more comfortable product when physical contact occurs.

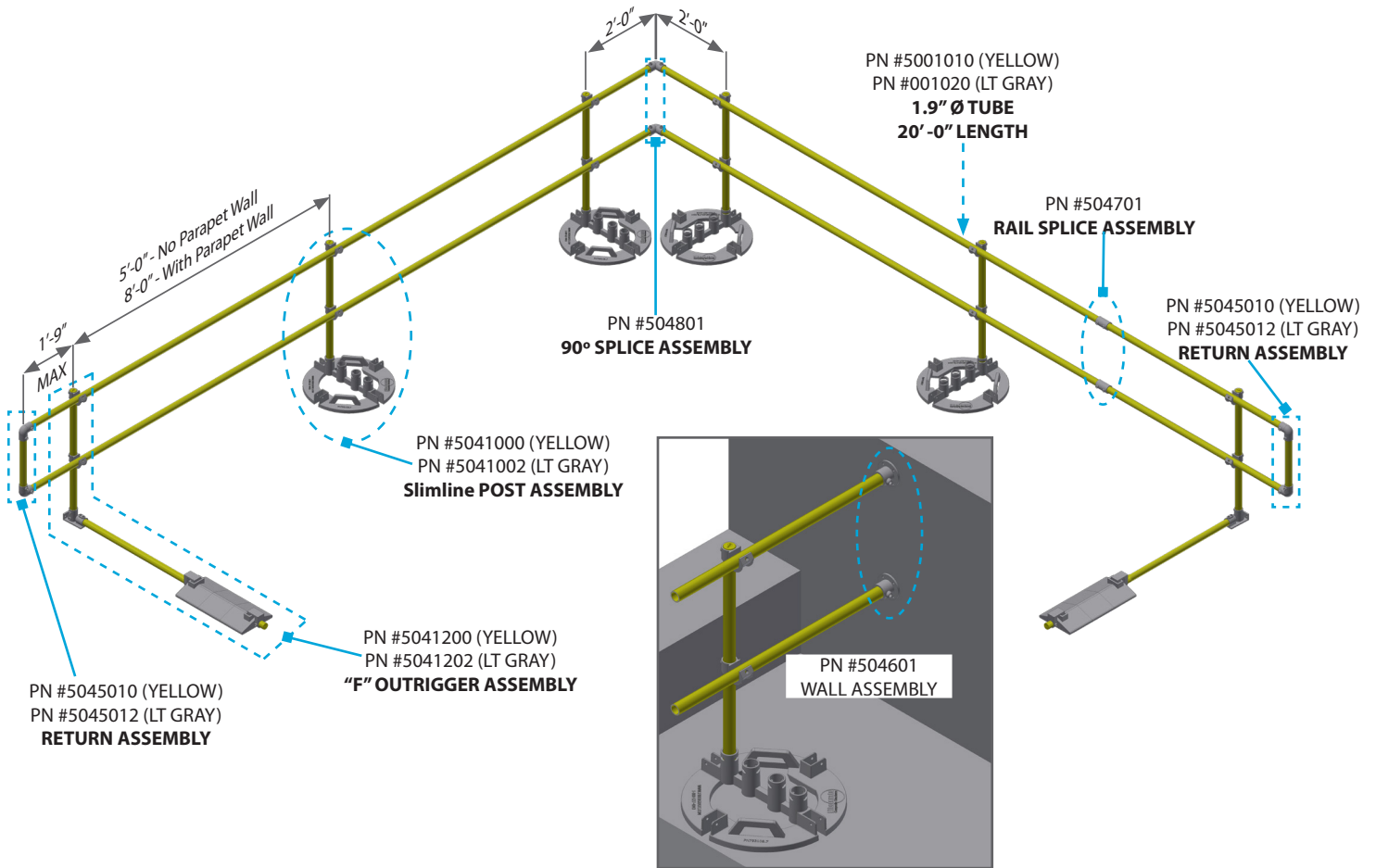


UV Resistant: The FRP rails, post, and outriggers have additional factory applied coating suitable for daily UV exposure - further reducing the low cost of maintenance.



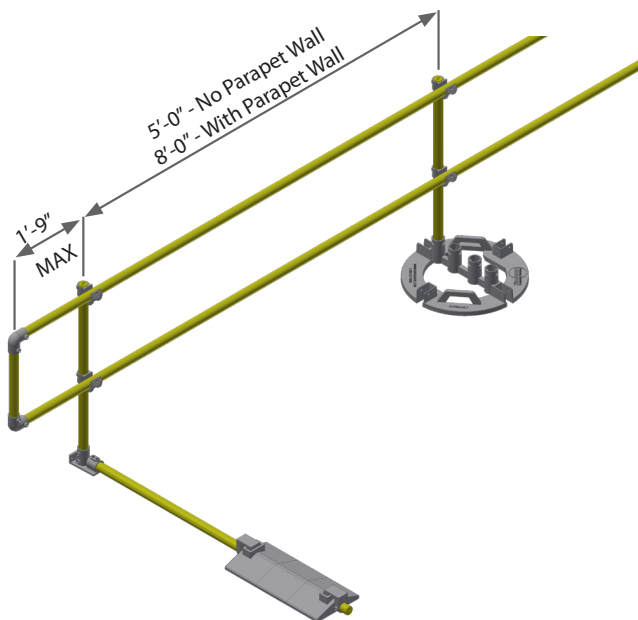
PRODUCT DATA SHEET

SYSTEM COMPONENTS



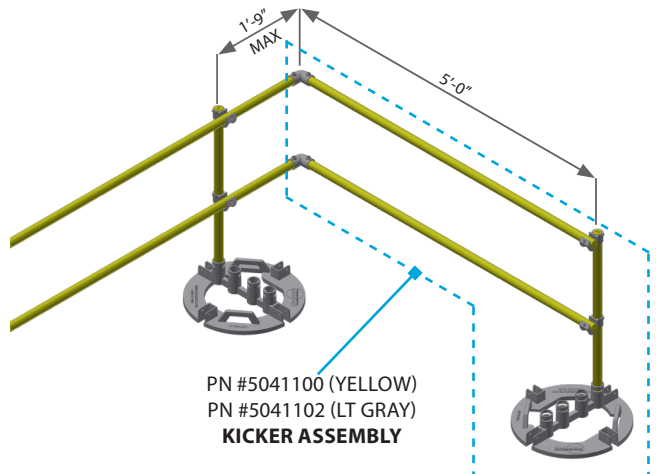
TYPICAL SPACING FOR ASSEMBLIES

RETURN CONDITION



KICKER ASSEMBLY

(A kicker assembly can be used as an alternative to the standard "F" outrigger.)



All assembly details can be found on the next page.
www.fibergate.com | 800-527-4043

PRODUCT DATA SHEET

ASSEMBLY DETAILS

DynaRound SL Post Assembly, Yellow
ITEM #5041000
Weight = 97 lbs

DESCRIPTION	QTY	PN #
DynaRound SL Post - YL	1	5041610
Open Cross Over	2	793201
Lock Pin	1	793108.2
DynaRound SL Base	1	793108.7

DynaRound SL Post Assembly, LT GRAY
ITEM #5041002
Weight = 97 lbs

DESCRIPTION	QTY	PN #
DynaRound SL Post - GR	1	5041612
Open Cross Over	2	793201
Lock Pin	1	793108.2
DynaRound SL Base	1	793108.7

DynaRound SL Kicker Assembly, Yellow
ITEM #5041100
Weight = 110 lbs

DESCRIPTION	QTY	PN #
DynaRound SL Post - YL	1	5041610
Open Cross Over	2	793201
Lock Pin	1	793108.2
DynaRound SL Base	1	793108.7
Two Way Elbow	2	793125
DynaRound SL Kicker Rail - YL	2	5041710

DynaRound SL Kicker Assembly, LT GRAY
ITEM #5041102
Weight = 110 lbs

DESCRIPTION	QTY	PN #
DynaRound SL Post - LG	1	5041612
Open Cross Over	2	793201
Lock Pin	1	793108.2
DynaRound SL Base	1	793108.7
Two Way Elbow	2	793125
DynaRound SL Kicker Rail - LG	2	5041712

DynaRound SL 'F' Outrigger Assy, Yellow
ITEM #5041200
Weight = 148 lbs

DESCRIPTION	QTY	PN #
DynaRound RG Post - YL	1	5040010
Open Cross Over	2	793201
Slipper	1	793206
Roof	3	793208
Special Hook	2	793207
F Outrigger (L = 70") - YL	1	5046110

DynaRound SL 'F' Outrigger Assy, LT GRAY
ITEM #5041202
Weight = 148 lbs

DESCRIPTION	QTY	PN #
DynaRound RG Post - LG	1	5040012
Open Cross Over	2	793201
Slipper	1	793206
Roof	3	793208
Special Hook	2	793207
F Outrigger (L = 70") - LG	1	5046112

Swivel Elbow Assembly
ITEM #504802
Weight = 4 lbs

DESCRIPTION	QTY	PN #
Swivel Elbow	2	793126

WALL ASSEMBLY
ITEM #504601
Weight = 4 lbs

DESCRIPTION	QTY	PN #
Base Flange	2	793131

RAIL SPLICE ASSEMBLY
ITEM #504701
Weight = 3 lbs

DESCRIPTION	QTY	PN #
Sleeve Joint	2	793149

90° SPLICE ASSEMBLY
ITEM #504801
Weight = 4 lbs

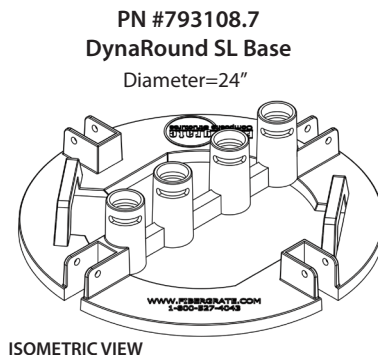
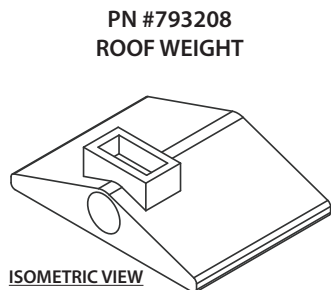
DESCRIPTION	QTY	PN #
Two Way Elbow	2	793125

RETURN ASSEMBLY, Yellow
ITEM #5045010
Weight = 6 lbs

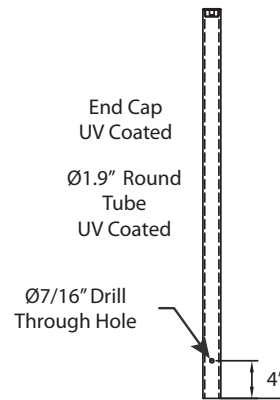
DESCRIPTION	QTY	PN #
Return (Length: 21-1/16")	1	5045110
Two Way Elbow	2	793125

RETURN ASSEMBLY, LT GRAY
ITEM #5045012
Weight = 6 lbs

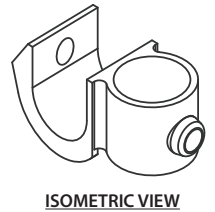
DESCRIPTION	QTY	PN #
Return (Length: 21-1/16")	1	5045112
Two Way Elbow	2	793125



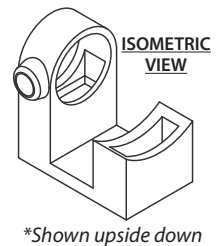
PN # 5041610/5041612
DYNAROUND SL POST
(LENGTH = 41-1/4")



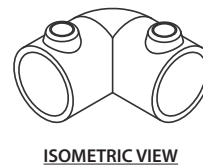
PN #793201
OPEN CROSS OVER



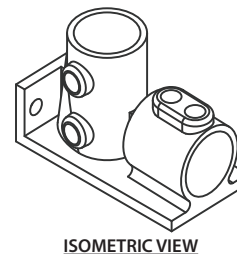
PN #793207
SPECIAL HOOK*



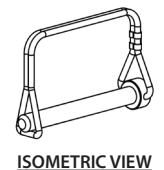
PN #793125
TWO WAY ELBOW



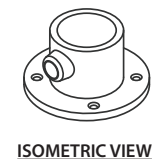
PN #793206
SLIPPER



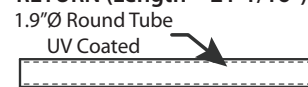
PN #793108.2
LOCK PIN



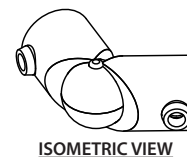
PN #793131
BASE FLANGE



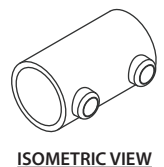
PN #5045110
RETURN (Length = 21-1/16")



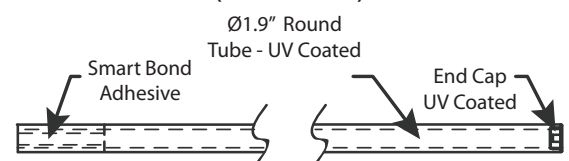
PN #793126
SWIVEL ELBOW



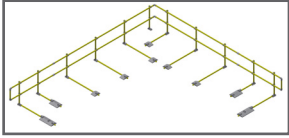
PN #793149
SLEEVE JOINT



PN #5046110/5046112
F OUTRIGGER
(LENGTH=66")

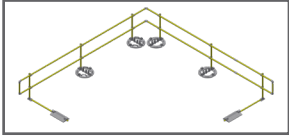


ADDITIONAL ROOF SAFETY SOLUTIONS by Fibergrate



DYNAROUND RG™ (ROOF GUARD)

DynaRound RG™ Roof Guard ballasted rooftop guardrail system is designed for safety and fall protection on roof top applications. Each system is made of durable, corrosion-resistant fiberglass reinforced plastic (FRP) composite uprights and non-FRP counterbalance weights and connector components. DynaRound RG provides the utmost in safety by protecting against injuries or death from accidental falls from the roof. This system meets all applicable safety standards in the U.S. and Canada to protect individuals on rooftop surfaces.



DYNAROUND RG SLIMLINE™ (ROOF GUARD)

Fibergrate's new ballasted rooftop guardrail system, DynaRound RG Slimline™, provides safety and fall protection on rooftop applications with fewer counter balance bases than DynaRound RG. Similar to our DynaRound RG system, each Slimline system is made of durable, weather-resistant fiberglass reinforced plastic (FRP) composite uprights and rails, galvanized steel base weights, and galvanized connector components. This system meets applicable safety standards in the U.S. and Canada to protect people working at heights.



DYNAROUND HATCH GUARD

DynaRound Hatch Guard provides a non-penetrating guard solution for safe entry and exit through roof access hatches. The adjustable self-closing gate prevents accidental entrance when hatch is open. The DynaRound Hatch Guard mounts directly to the roof hatch with a compression fit design so no drilling is necessary which means the rooftop waterproofing system is not compromised.



CORVEX® MOLDED GRATING WITH RUBBER FEET

Molded Walkway Grating is made with a unique Corvex® resin system that outperforms many competitive fiberglass and metal products. Our molded grating is corrosion resistant, lightweight, slip resistant, and easy to install. Specially designed rubber feet can be added to molded grating, elevating it 1/2" above the surface, offering an economical raised walkway solution, for use around maintenance equipment, machines, wet areas, and rooftop walkway areas.



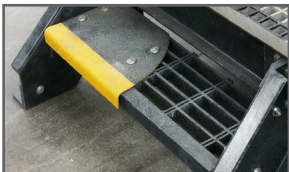
FRP DYNARAIL® SAFETY LADDERS

DynaRail® Safety Ladder Systems combine a corrosion resistant, low maintenance design to ensure a long-life cycle. Ladder rungs include heavily serrated flutes for slip resistant footholds that are easy on the hands while ensuring safety. Our system is designed and manufactured to be easily installed with no guesswork involved. Components are lightweight and easy to fabricate, which saves you on labor and equipment. UV inhibitors in the resin, along with a secondary UV coating maximizes protection from the effects of UV weathering. The Dynarail safety ladder system meets or exceeds all OSHA requirements.



CROSSOVERS

Our FRP Crossovers provide a pre-engineered, corrosion and slip resistant solution for your rooftop. Available in a variety of heights that address most standard clearances, these Crossovers create a cost effective and safe solution over many rooftop obstructions. The crossover systems create a safe working environment, are lightweight and easy to install. Designed to meet all applicable safety standards in the U.S. and Canada.



STAIR SOLUTIONS

Fibertred® slip molded FRP stair treads can be used for both new or replacement steps. Treads are engineered to exceed OSHA and other model building code standards for safety, strength, durability and corrosion resistance. Fiberplate® stair tread covers are a convenient way to provide solid, slip resistant footing for existing wood, concrete, metal or FRP treads that are still structurally sound.



DYNAROUND WARNING LINES

DynaRound Warning Lines are available in a heavy and light duty design. Our heavy-duty warning line systems can be used as a permanent warning system with heavy-duty galvanized base plates, plastic coated steel cable, and plastic pennants. The heavy-duty stanchions and bases are designed to withstand years of use. The standard system includes 3 stanchions, 3 bases, and 100 feet of plastic coated steel cable with flags. Our light duty warning line system can be used as a temporary warning system. This system includes three folding stanchions, 100' of nylon flagged line. Both systems meet all applicable safety standards in the U.S. and Canada to protect individuals on rooftop surfaces.



DYNAWEIGHT FALL PREVENTION SYSTEM

DynaWeight Fall Protection System is the perfect solution for fall protection when circumstances require non-penetrating versatility. This system is tested and approved for use on flat rooftop surfaces (single ply, BUR, concrete, and modified bitumen membranes), with a maximum incline of 5 degrees. It provides tie off options for 2 people if used for fall restraint or 1 person for fall arrest; sets up quickly and is easy to move. The DynaWeight Fall Protection System is corrosion resistant and meets all applicable safety standards in the U.S. and Canada to protect individuals on rooftop surfaces.



Phone: 972-250-1633
Fax: 972-250-1530



www.fibergrate.com



info@fibergrate.com

©2018 Fibergrate Composite Structures Inc. - DynaRound SlimLine - Product Data Sheet-11/18-1.0

Fibergrate Composite Structures believes the information contained here to be true and accurate. Fibergrate makes no warranty, expressed or implied based on this literature and assumes no responsibility for consequential or incidental damages in the use of these products and systems described, including any warranty of merchantability or fitness. Information contained here is for evaluation only.

Fibergrate
Composite Structures